

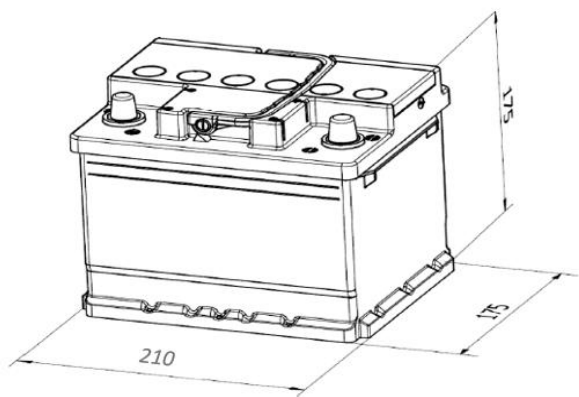
## Technical data sheet Starter battery

<b>Battery type</b>	<b>12V 57Ah +R L1</b>	<b>Product code</b>	<b>EM0570</b>
---------------------	-----------------------	---------------------	---------------

Specification	
Nominal voltage	12 V
Capacity (C20)	57 Ah at 25°C to 10,5V
Reserve capacity (25A discharge)	90 min
Cold cranking current (EN 18°C)	560 A
Cold cranking current (DIN 18°C)	345 A
Weight	13.5 kg ± 5%
Technology	Flooded/SLI

Overall dimensions	
Length	210 +0/-2 mm
Width	175 +0/-2 mm
Height	190 +0/-3 mm
Base hold-down	B13
Layout	0
Terminal type	1
Container material	PP
Box color	Black
Lid color	Black

Electrolyte	
Electrolyte type	H <sub>2</sub> SO <sub>4</sub>
Electrolyte spec density at 25°C	1.28 ± 0.01 g/cm <sup>3</sup>



Cell properties	
Grid prod. technology	<b>Punched</b>
+ grid alloy	PbCa
Grid prod. technology	<b>Continuous casting</b>
- grid alloy	PbCa
Separator	
Type	PE
Thickness	1.0 - 1.2 mm

Drawings	
Base hold-down	Layout

Terminal type	Key characteristics
	<p>Water consumption W4            Vibration level V2            Endurance level E1            Charge retention C2            Conform EN 50342/1</p>